

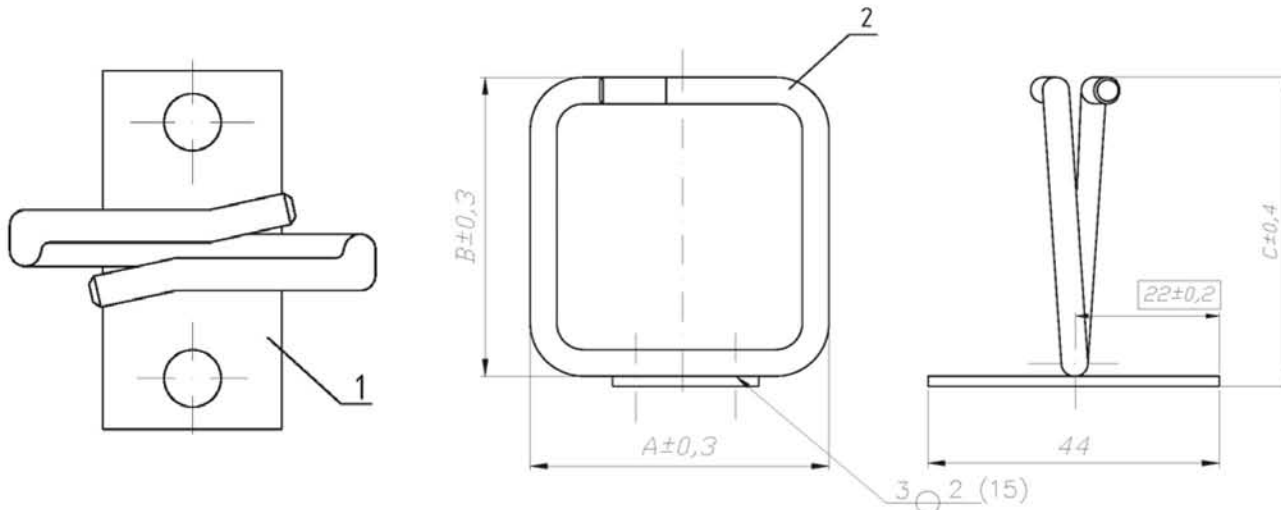
Cable Routing Bracket



Specifications:

- For orderly and clearly cable routing
- Mounting on the 19" profile rails
- Material: galvanised steel
- Width of ground plate: 20 mm
- Spacing between the holes: 30 mm

	Dimensions	A	B	C	PU
	40 x 40 mm	40 mm	40 mm	41.5 mm	10
	40 x 80 mm	40 mm	80 mm	81.5 mm	10
	80 x 80 mm	80 mm	80 mm	81.5 mm	10
	80 x 120 mm	80 mm	120 mm	121.5 mm	10



RoHS
compliant

Created MN		Cable routing bracket	File:
Last rev. MN			